

SlidingLid™ Ice Caddies

Tall

175 lb. (79 Kg.) Capacity
Models ICS175T, ICS175TB

200 lb. (91 Kg.) Capacity
Model ICS200TB



Features & Benefits

- Indoors or outdoors, in heat or humidity, these sleek models keep their cool and can hold ice cold for days. They provide reliability, value and safer holding for up to 200 lbs. (91 kg.) of ice. Tall models keep ice at a more comfortable dispensing level.
- Unique sliding lid has no latches. Slides back and under into the secured base lid for quick access and it slides shut for safe and sanitary storage. Helps reduce the risk of cross contamination
- Four sturdy thumbscrews secure base lid tightly during transport and when sliding top back and under.
- Service opening is 12³/₈" (31,4 cm) x 17" (43,2 cm) for quick and easy loading and unloading of ice.
- Double-wall, high density, polyethylene construction is impact resistant and will not dent, crack, bubble, chip or break. Easy to clean.
- Thick polyurethane foam insulation keeps ice frozen. Reduces frequency of restocking, ensuring quick and convenient service.
- Recessed, leak proof, quarter-turn faucet is located on the front of every unit for easy access and quick draining.
- Recessed interior well with Camwear® polycarbonate drain shelf keeps ice out of any melted water, ensuring long lasting quality and storage.
- Molded-in handle is sturdy and will not break off. Provides controlled handling and maneuvering.
- Recessed lift grip on the front for safe, balanced lifting on or off delivery trucks.
- Three choices of wheel configurations meet a variety of transport needs. And 10" (25,4 cm) Easy Wheels make transporting even smoother and virtually effortless.

Model ICS175T- Four each 5" (12,7 cm) casters, 2 fixed, 2 swivel, 1 w/ brake

Model ICS175T4S - Four each 5" (12,7 cm) casters, 4 swivel, 1 w/ brake

Model ICS175TB - Two each 5" (12,7 cm) front casters, 2 swivel, 1 w/ brake and 2 each 10" (25,4 cm) Easy Wheels

Model ICS200TB - Two each 5" (12,7 cm) front casters, 2 swivel, 1 w/ brake and 2 each 10" (25,4 cm) Wide Easy Wheels

- No assembly required.
- Available in 7 colors.

Item No. _____

Specifier Identification No. _____

Model No. _____

Quantity _____



ICS175T



ICS175TB



ICS200TB

Approvals



SlidingLid™ Ice Caddies

Tall

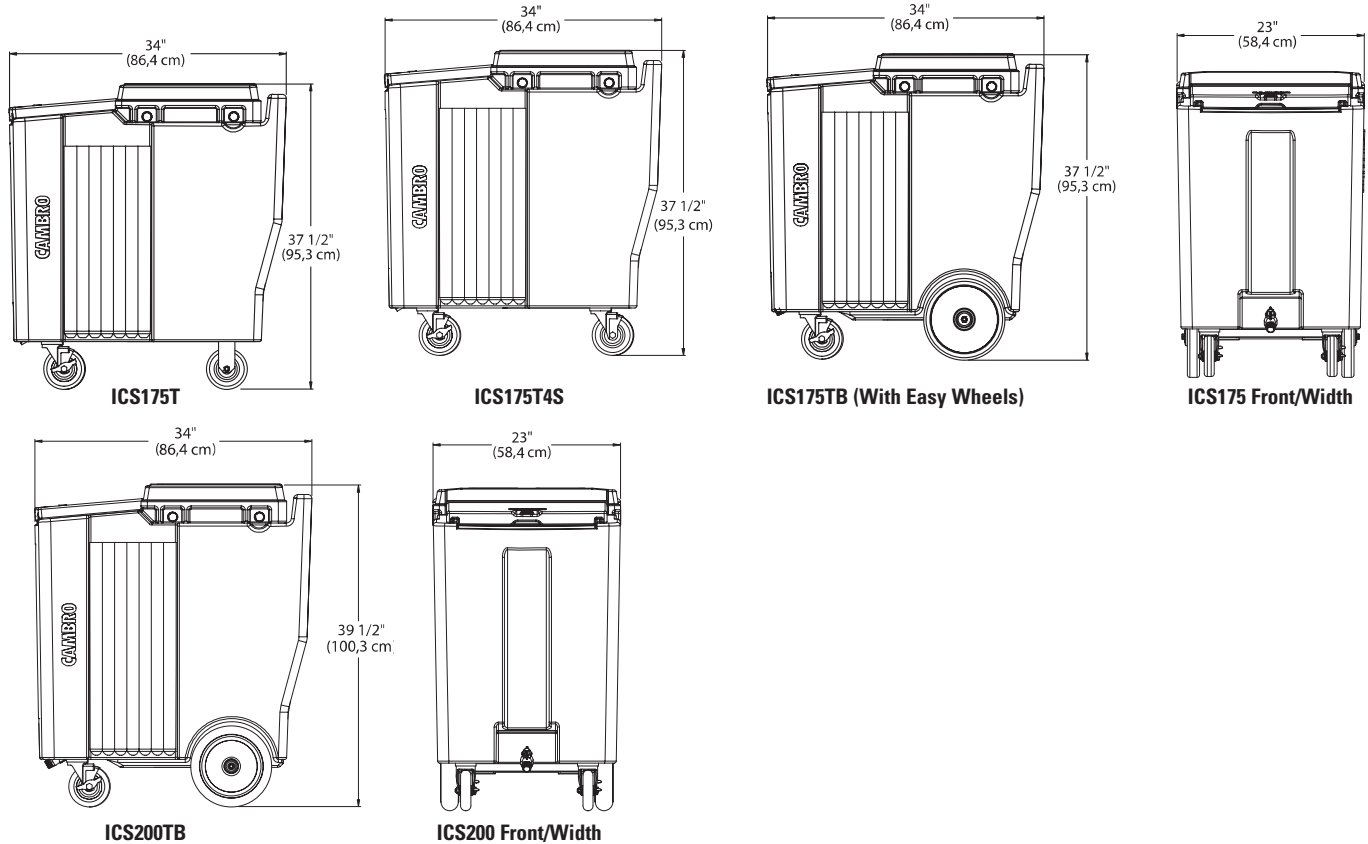
175 lb. (79 Kg.) Capacity
Models ICS175T, ICS175TB
200 lb. (91 Kg.) Capacity
Model ICS200TB

Item No. _____

Specifier Identification No. _____

Model No. _____

Quantity _____



Specifications

Dimension Tolerance: +/- 1/4" (0,64 cm)

Code	Description	Interior Dimensions W x D x H	Exterior Dimensions W x D x H	Case lbs./cube Kg/m ³
ICS175T	SlidingLid Ice Caddy	17" x 26 1/2" x 21 1/2" (43,2 x 67,3 x 54,6 cm)	23" x 34" x 37 1/2" (58,4 x 86,4 x 95,3 cm)	89 (18.06) 40,4 (0,511)
ICS175T4S	SlidingLid Ice Caddy	17" x 26 1/2" x 21 1/2" (43,2 x 67,3 x 54,6 cm)	23" x 34" x 37 1/2" (58,4 x 86,4 x 95,3 cm)	89 (18.06) 40,4 (0,511)
ICS175TB	SlidingLid Ice Caddy	17" x 26 1/2" x 24 1/2" (43 x 67,3 x 62,2 cm)	23" x 34" x 37 1/2" (58,4 x 86,4 x 95,3 cm)	92 (18.06) 41,7 (0,511)
ICS200TB	SlidingLid Ice Caddy	17" x 26 1/2" x 24 1/2" (43 x 67,3 x 62,2 cm)	23" x 34" x 39 1/2" (58,4 x 86,4 x 100,3 cm)	98 (19.0) 44,5 (0,538)

Architect Specs

The tall 175 lb. (79 Kg.) and 200 lb. (91 Kg.) capacity SlidingLid Ice Caddy shall be Cambro Model..., manufactured by Cambro Mfg. Co., Huntington Beach, CA 92648 U.S.A. It shall be constructed of single-molded, double-wall, high density polyethylene and thick foam injected polyurethane. It shall have a sliding lid without latches. It shall slide back and under secured base lid. It shall have rounded corners and a molded-in handle. It shall have a 12 3/8" x 17" (31,4 x 43,2 cm) service opening. It shall have rounded corners and molded-in handles. It shall have a 37 1/2" (95,3 cm) or 39 1/2" (100,3 cm) working height. It shall have a recessed, leakproof, quarter turn faucet in the front. It shall have a recessed interior well with one unbreakable polycarbonate shelf. It shall be available with up to 4 different wheel configurations, including Model ICS175TB with 2 each 10" (25,4 cm) Easy Wheels or the model ICS200TB with 2 each 10" (25,4 cm) Wide Easy Wheels. It shall not require any assembly and shall be available in 7 colors.

Standard Colors

- Black (110)
- Dark Brown (131)
- Slate Blue (401)
- Coffee Beige (157)
- Gray (180)
- Granite Gray (191)
- Granite Green (192)

Approvals



Patent Pending

CAMBRO
MANUFACTURING COMPANY
http://www.cambro.com

© 2008 Cambro Manufacturing Company 5801 Skylab Road, Huntington Beach, California 92647-2056-U.S.A.
Telephone (1)714 848 1555 Toll Free 800 854 7631 Customer Service 800 833 3003 Printed in USA